

2 POINT PERSPECTIVE DRAWING STEP BY STEP

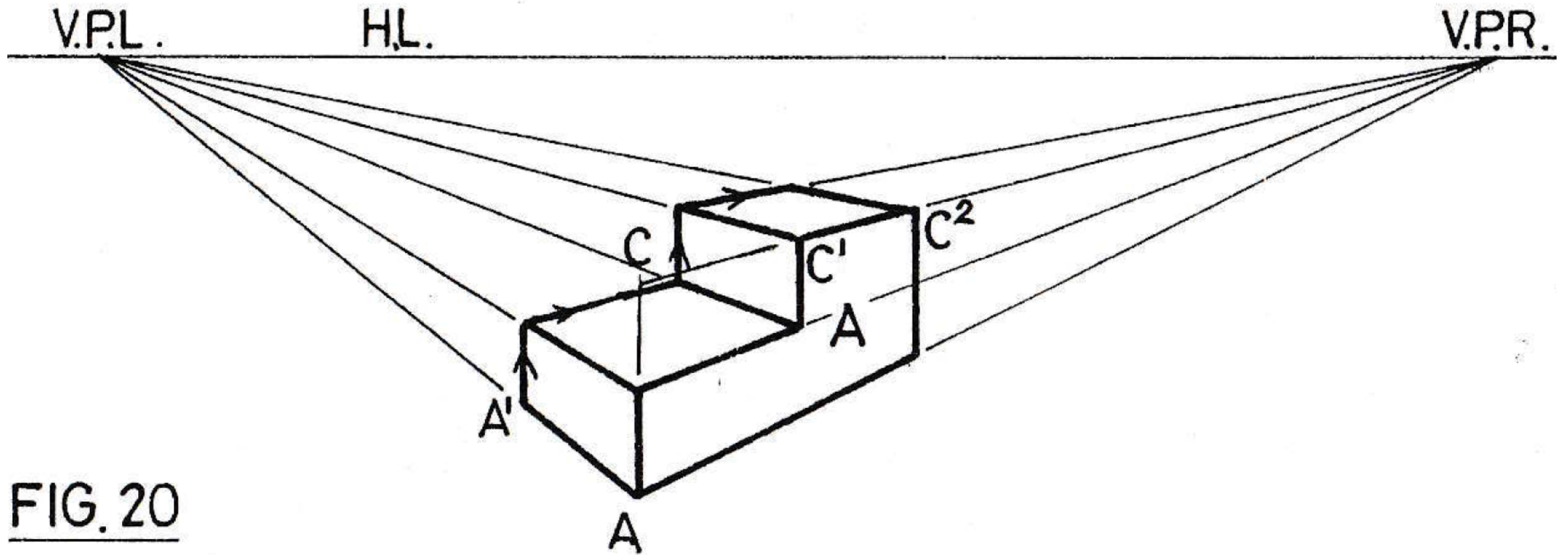
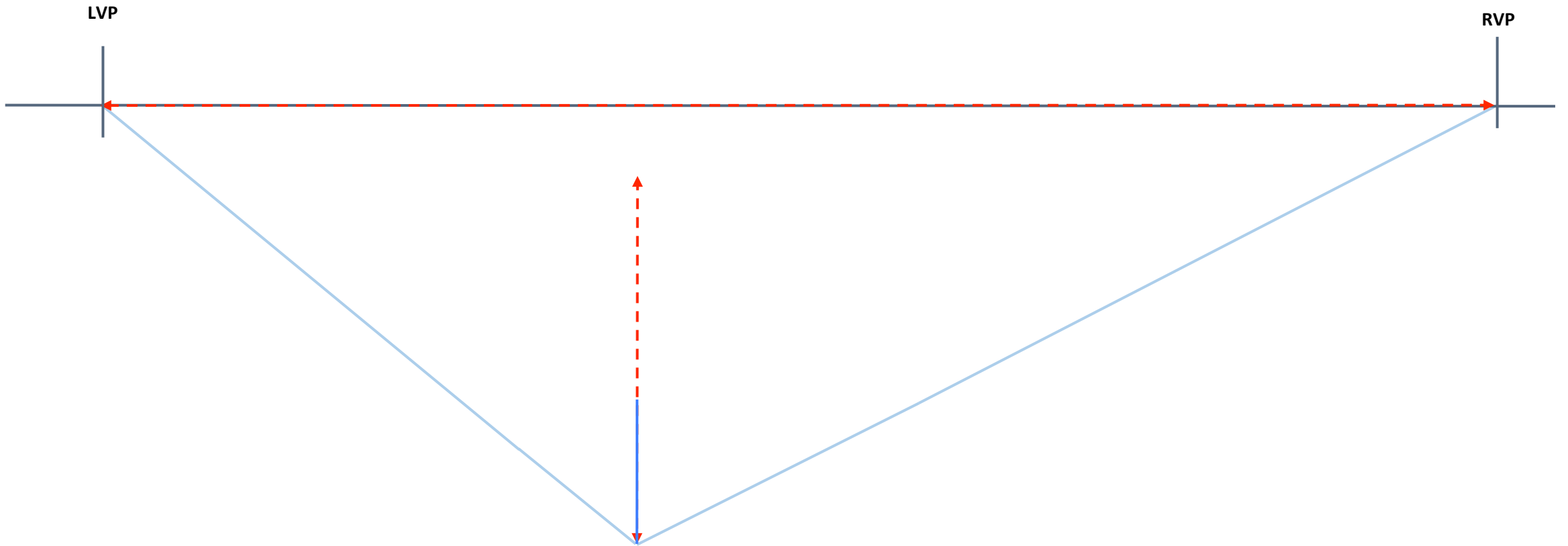
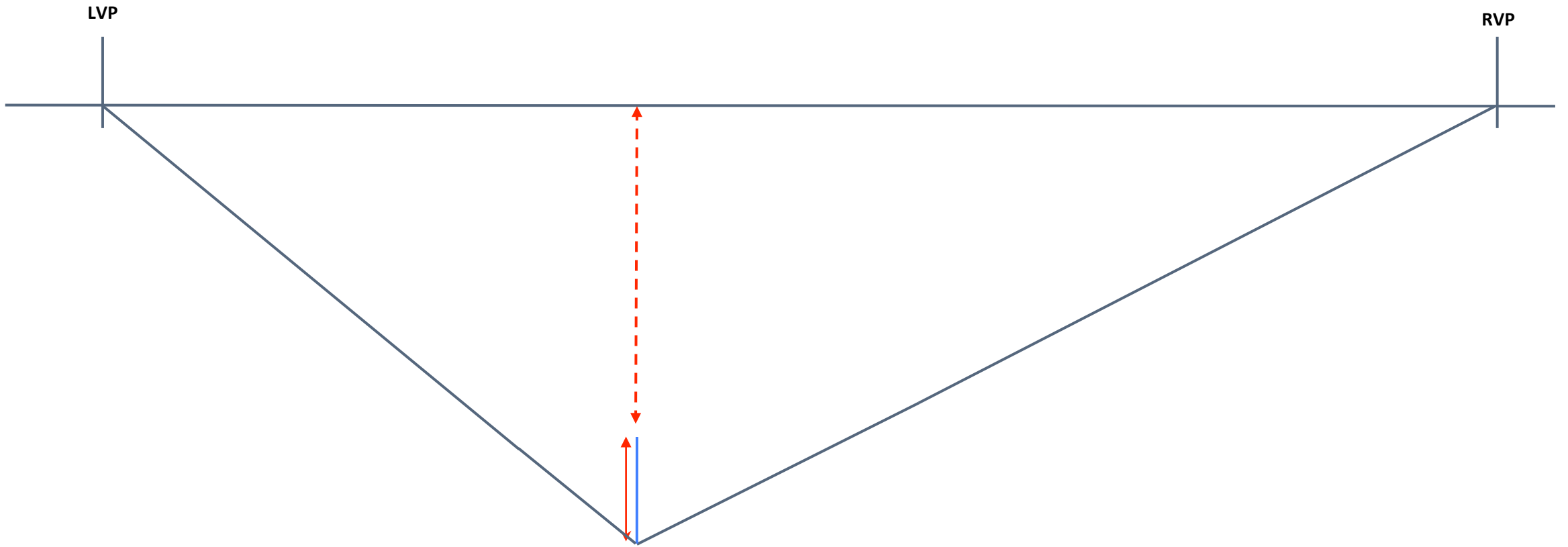


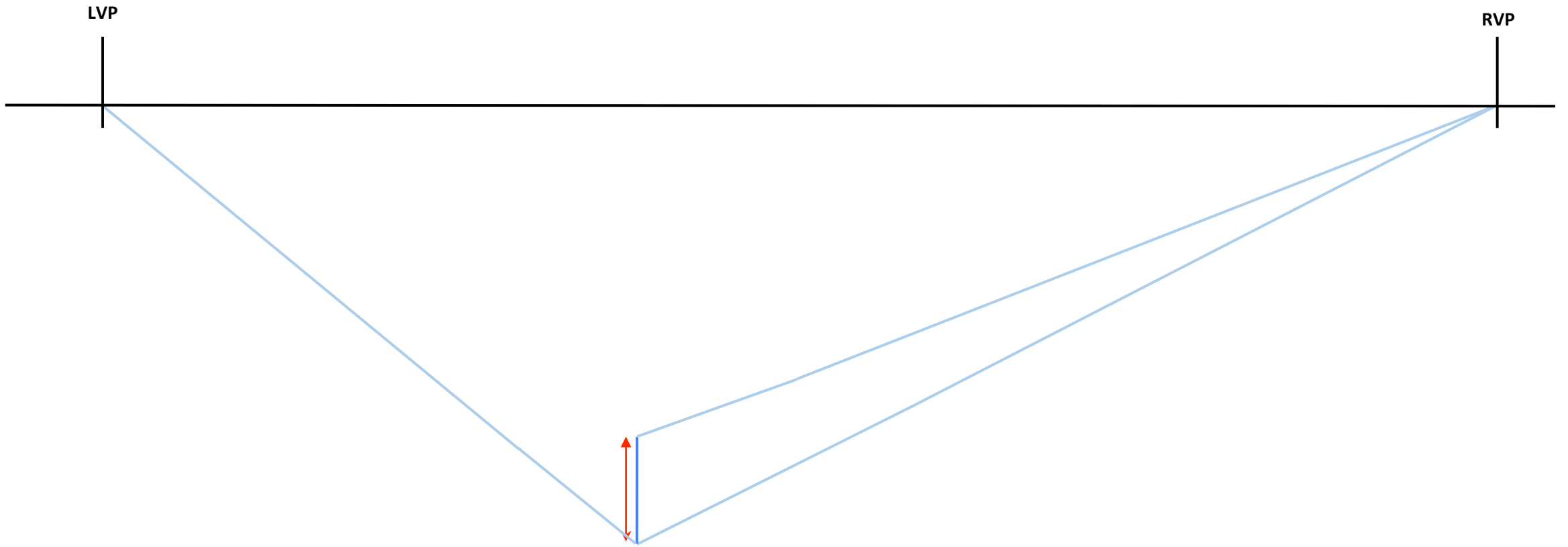
FIG. 20



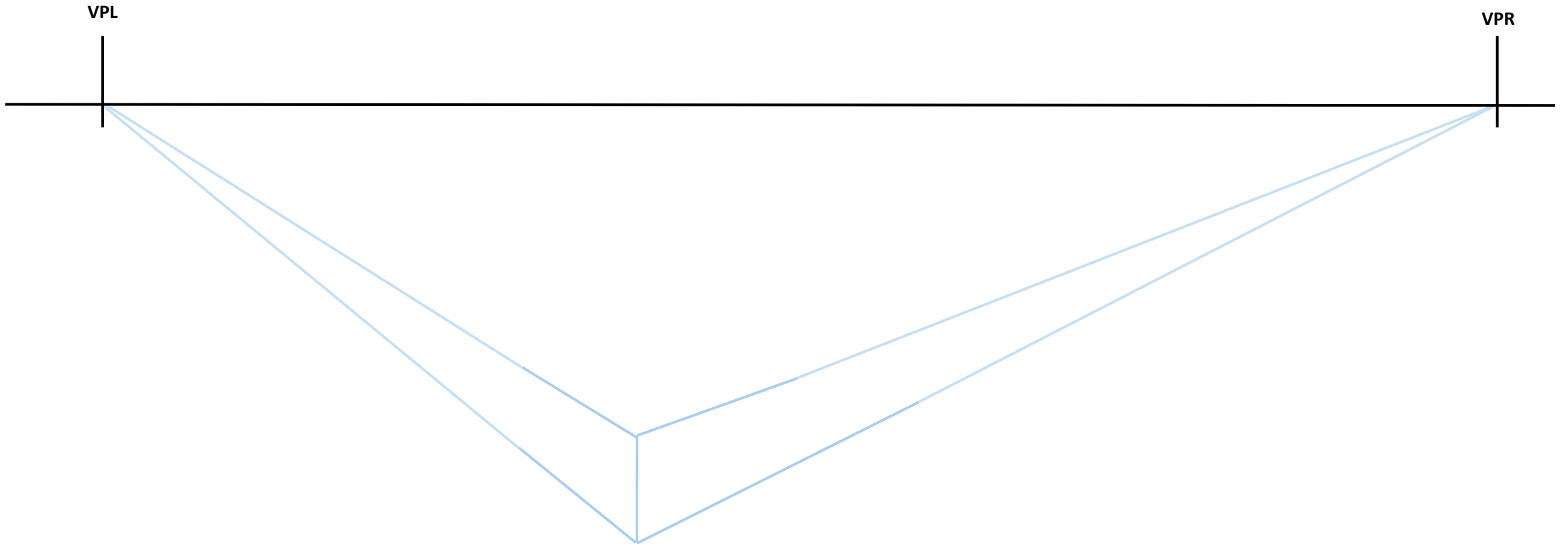
Draw horizon line then set your vanishing points as far out as possible. Do not draw with a heavy line.
(Don't draw the red dash line!)



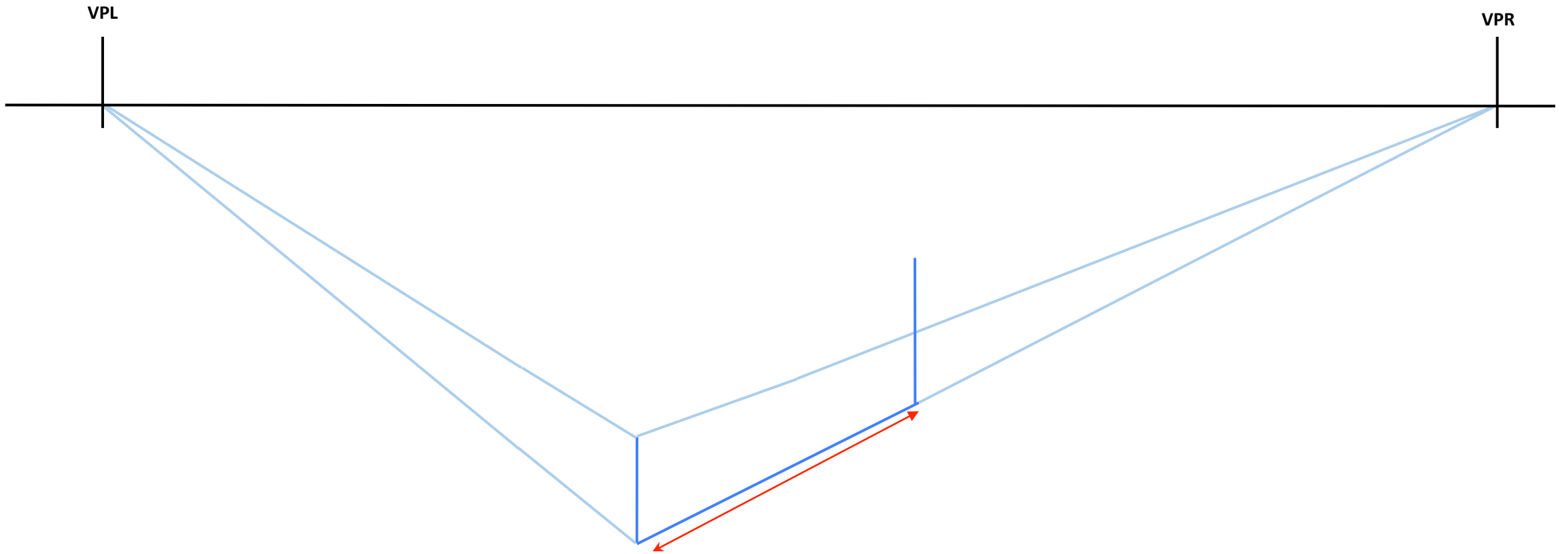
Add a vertical line that is parallel to the edge of your paper



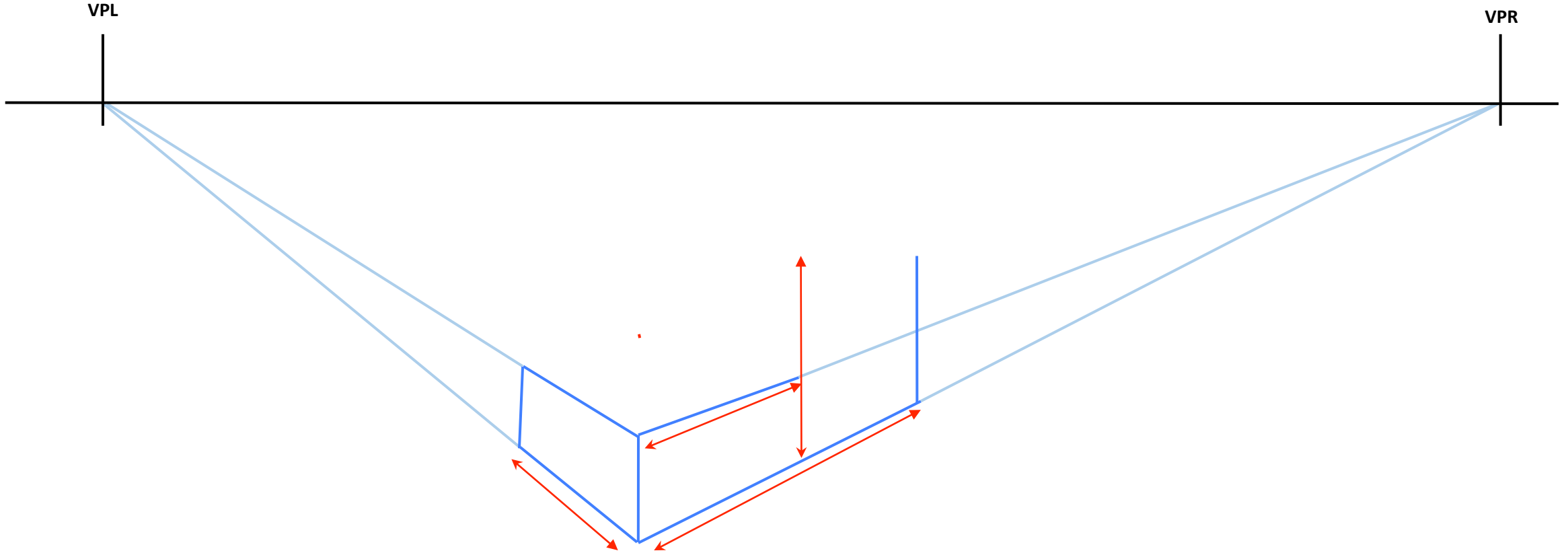
Join the vertical line to the Right Vanishing Point with an orthogonal line

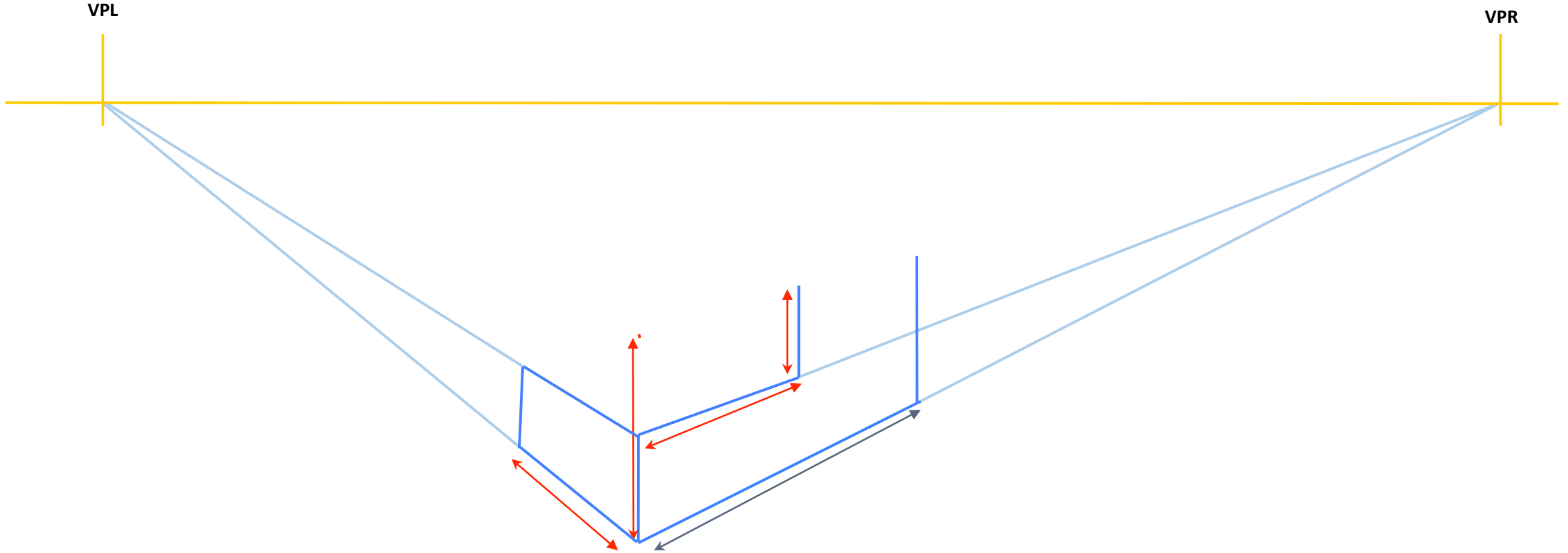


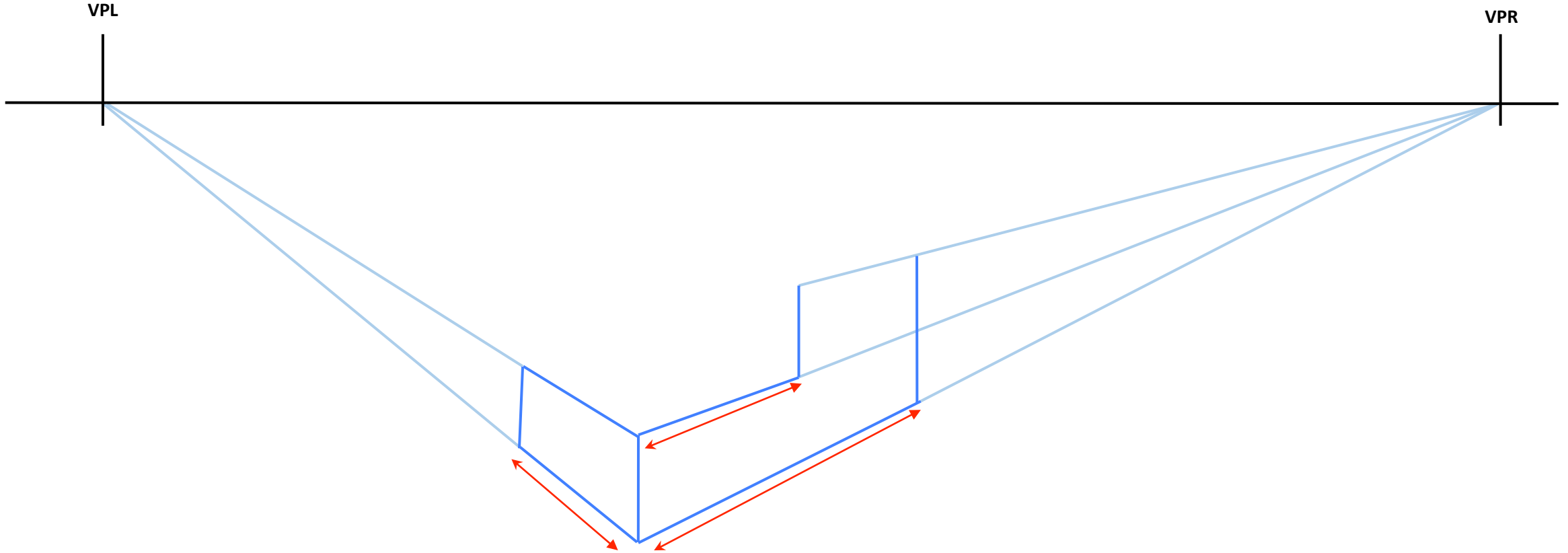
Keep adding the lines as shown in each of the following slides.

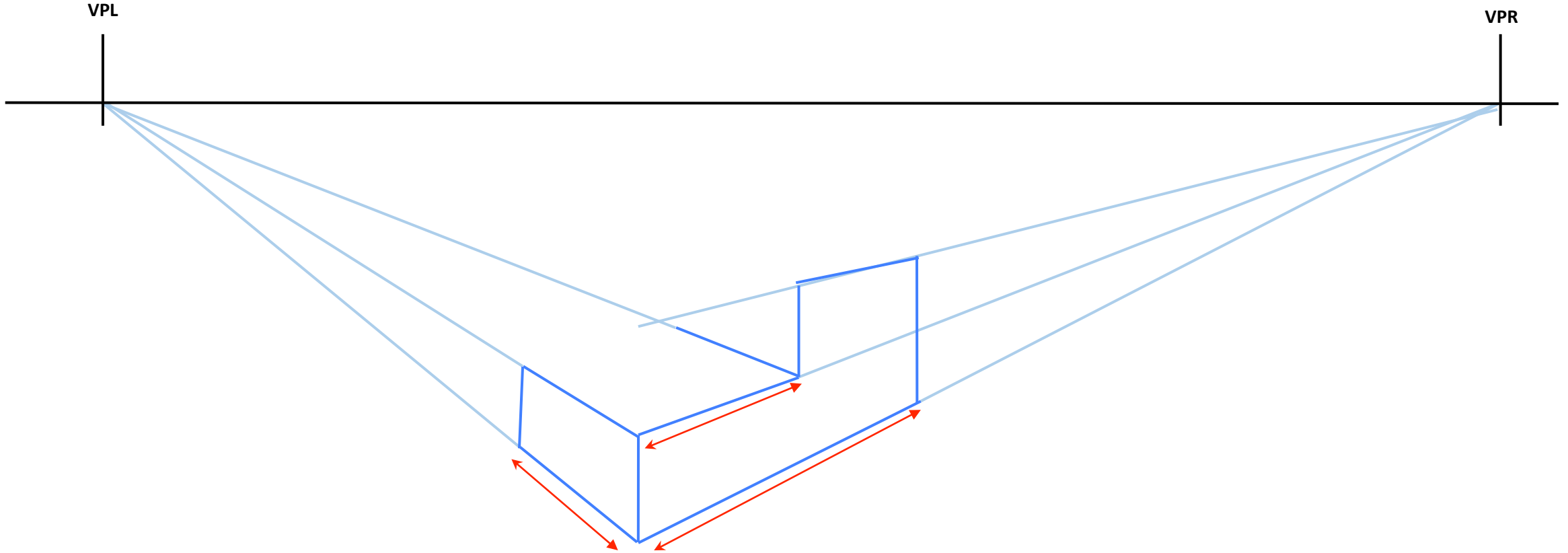


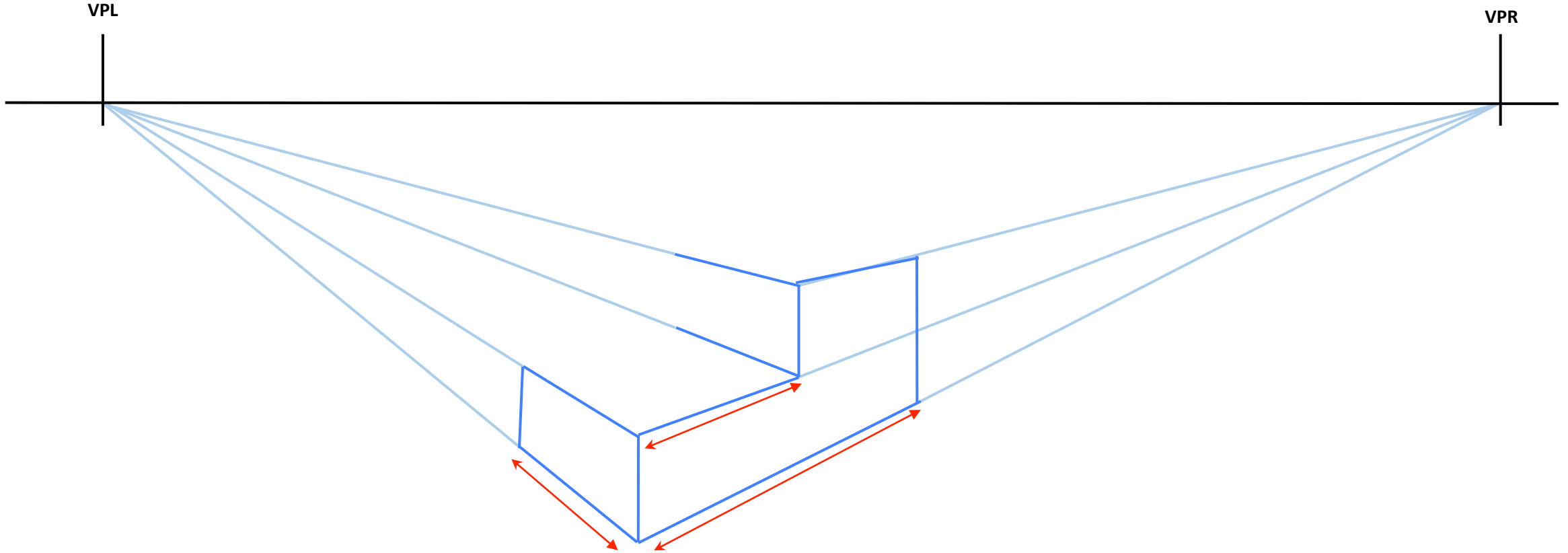
All vertical line are parallel to each other and to the edge of your picture plane

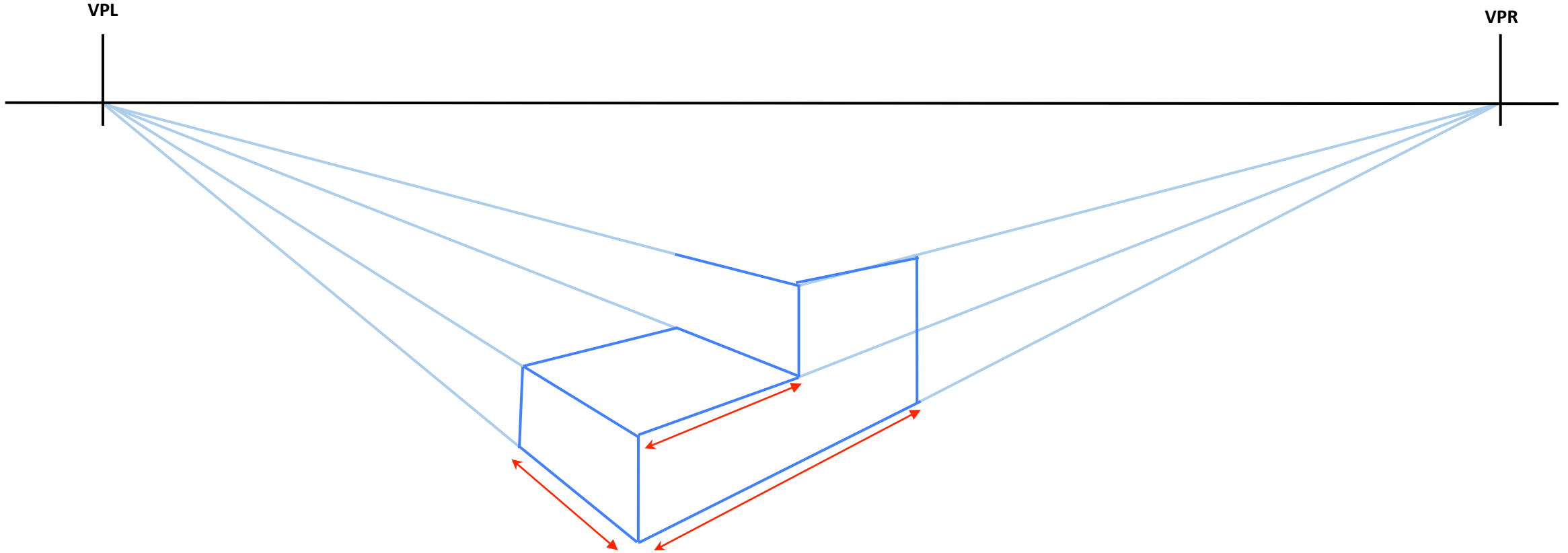


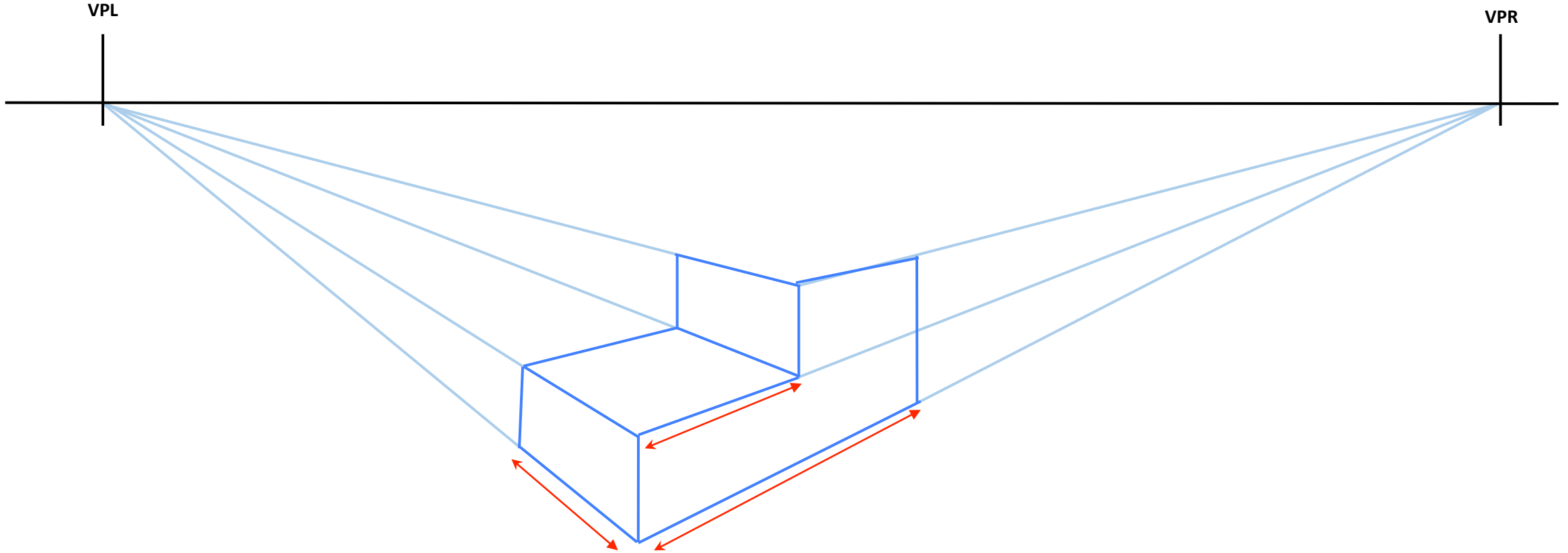


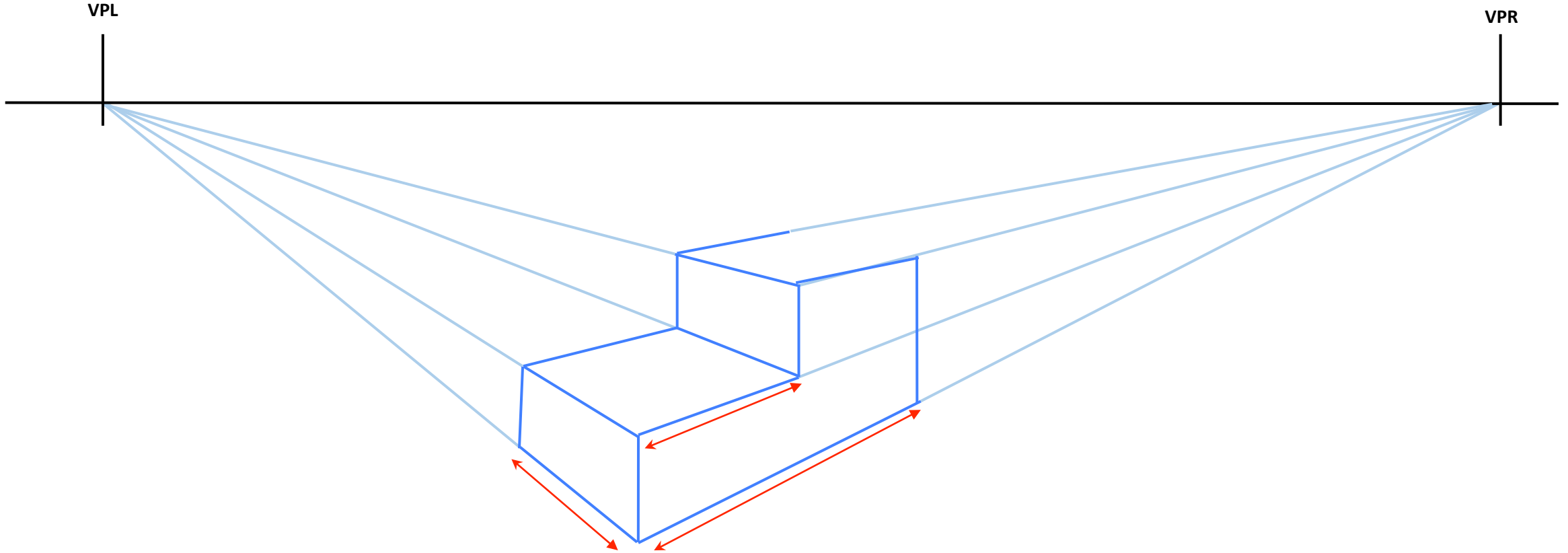


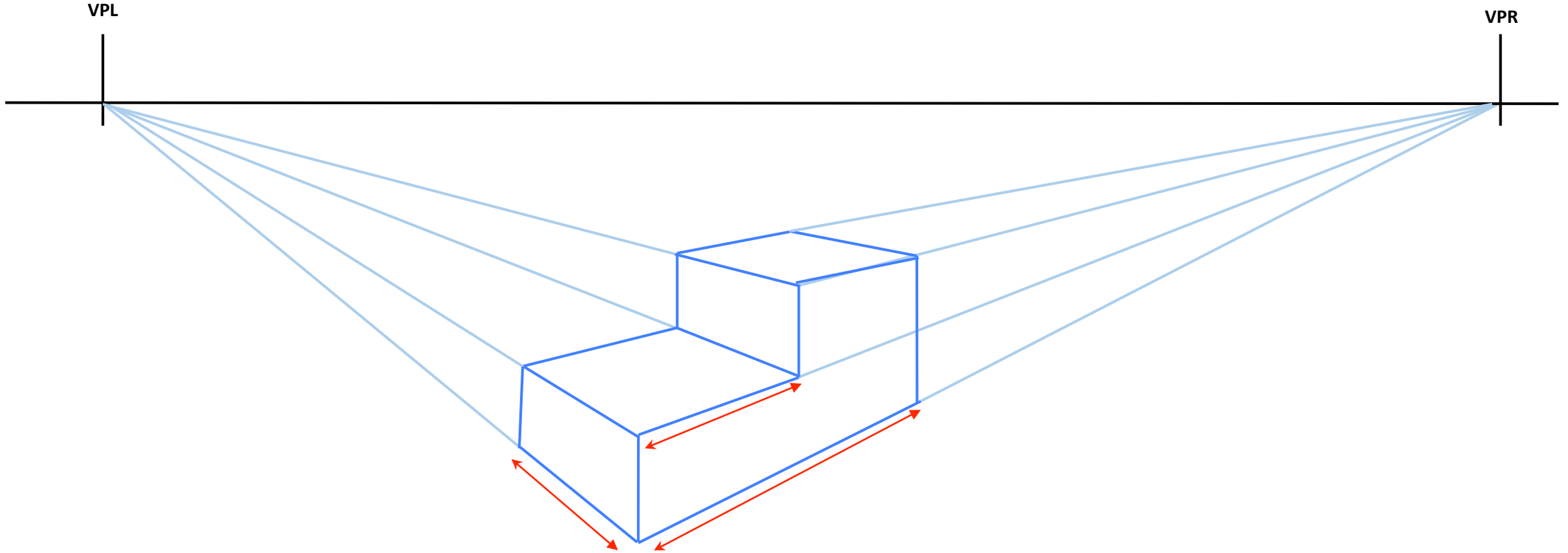








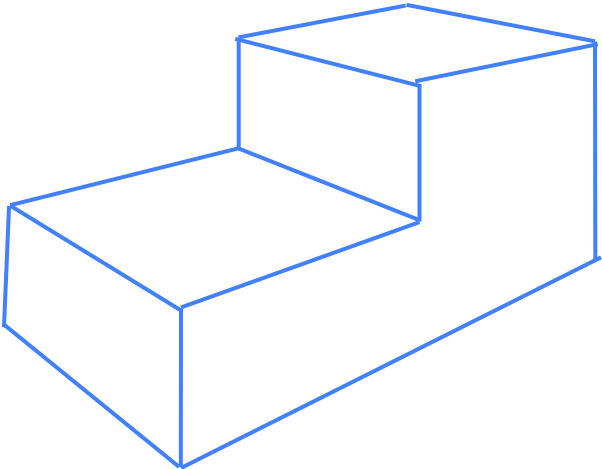
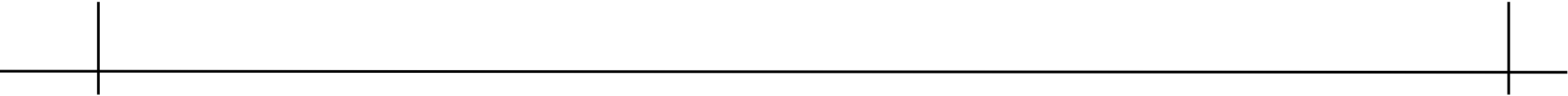




Now you can erase all your construction lines

VPL

VPR



Your 2 point perspective object should look like this

